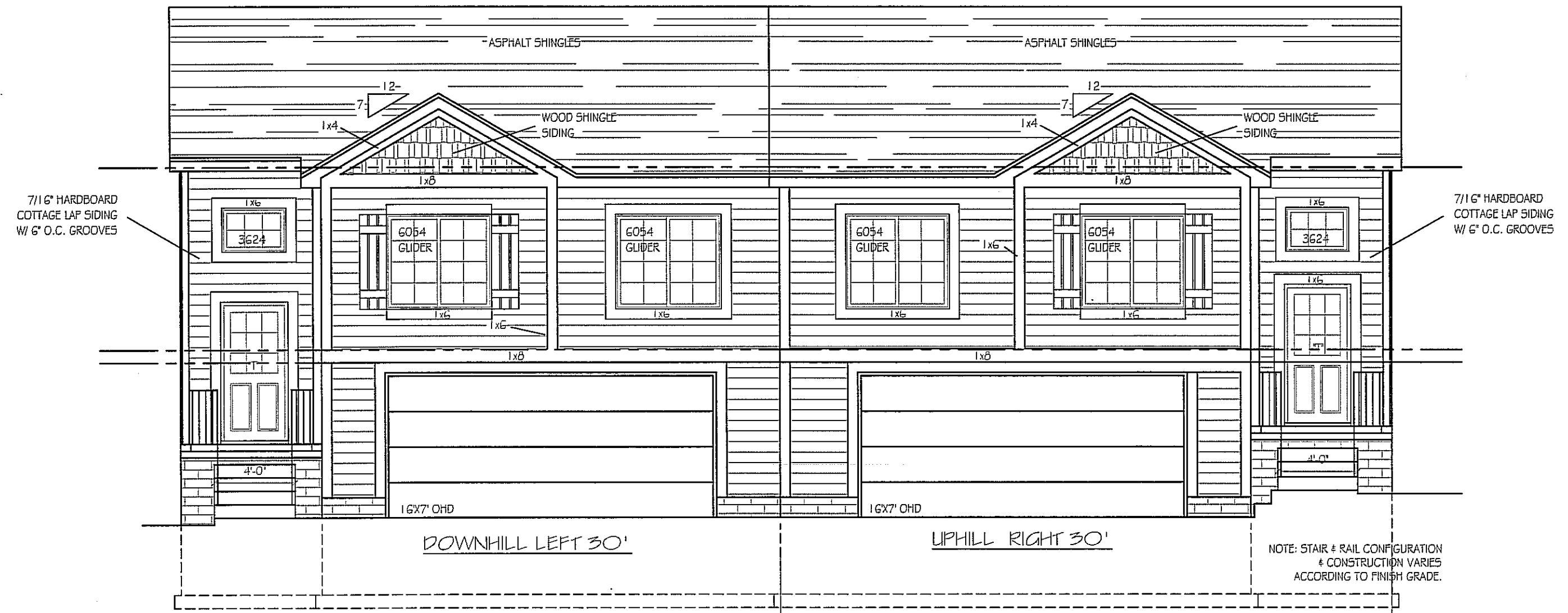


4x4 POSTS ON 8"Øx42" CONC. PIERS
 1x4 TRIM BOARDS SIDES AND REAR
REAR ELEVATION

1x6 CORNER BOARDS FRONT ONLY



FRONT ELEVATION
 SCALE: 3/16" = 1'-0"
 30'-4"

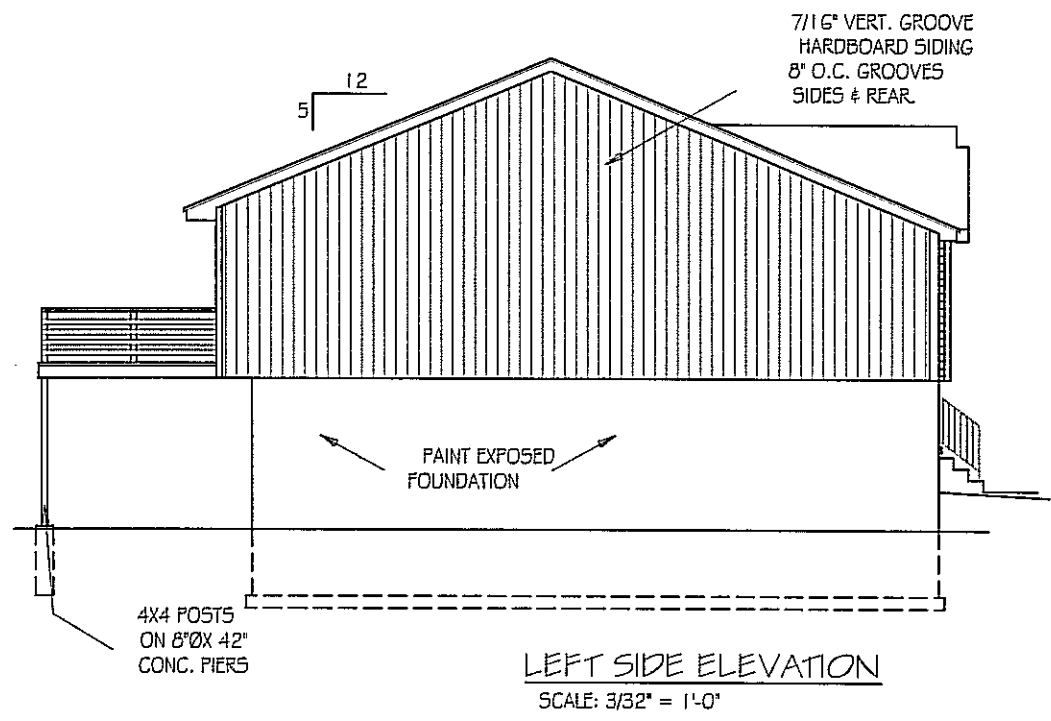
© CELEBRITY HOMES 2008. THESE DRAWINGS MAY NOT BE REPRODUCED IN ANY MANNER, EITHER IN WHOLE OR IN PART WITHOUT WRITTEN PERMISSION OF CELEBRITY HOMES.

ELEVATIONS
 SCALE: 3/16" = 1'-0"

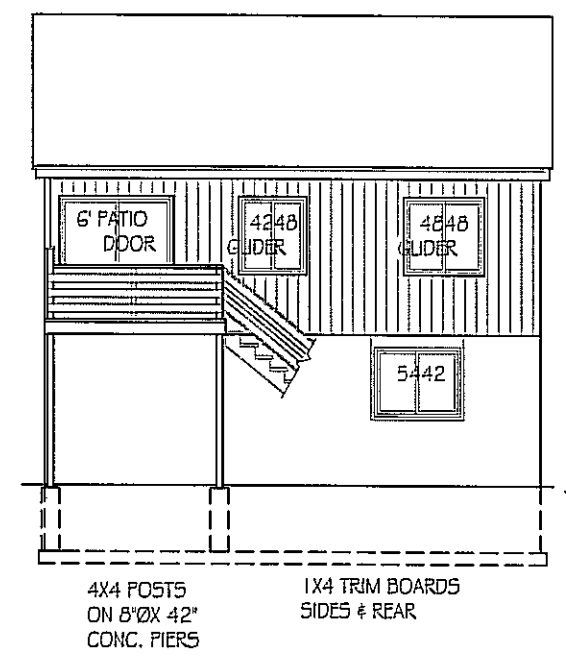
PLAN NAME:
 DURHAM 08

SHEET:

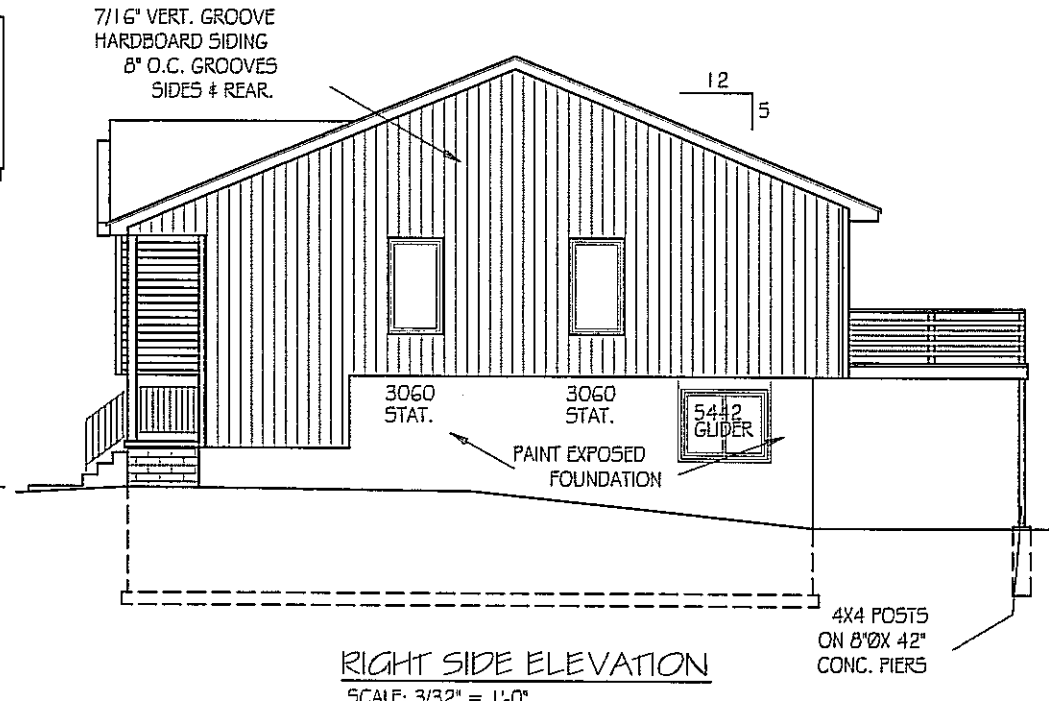
- 1/5/2009 3:34 PM DURHAM 08.dwg



LEFT SIDE ELEVATION
SCALE: 3/32" = 1'-0"



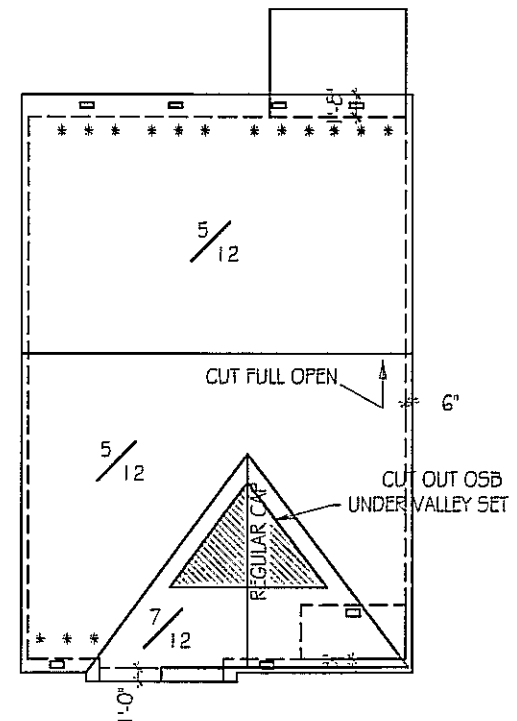
REAR ELEVATION
SCALE: 3/32" = 1'-0"



RIGHT SIDE ELEVATION
SCALE: 3/32" = 1'-0"

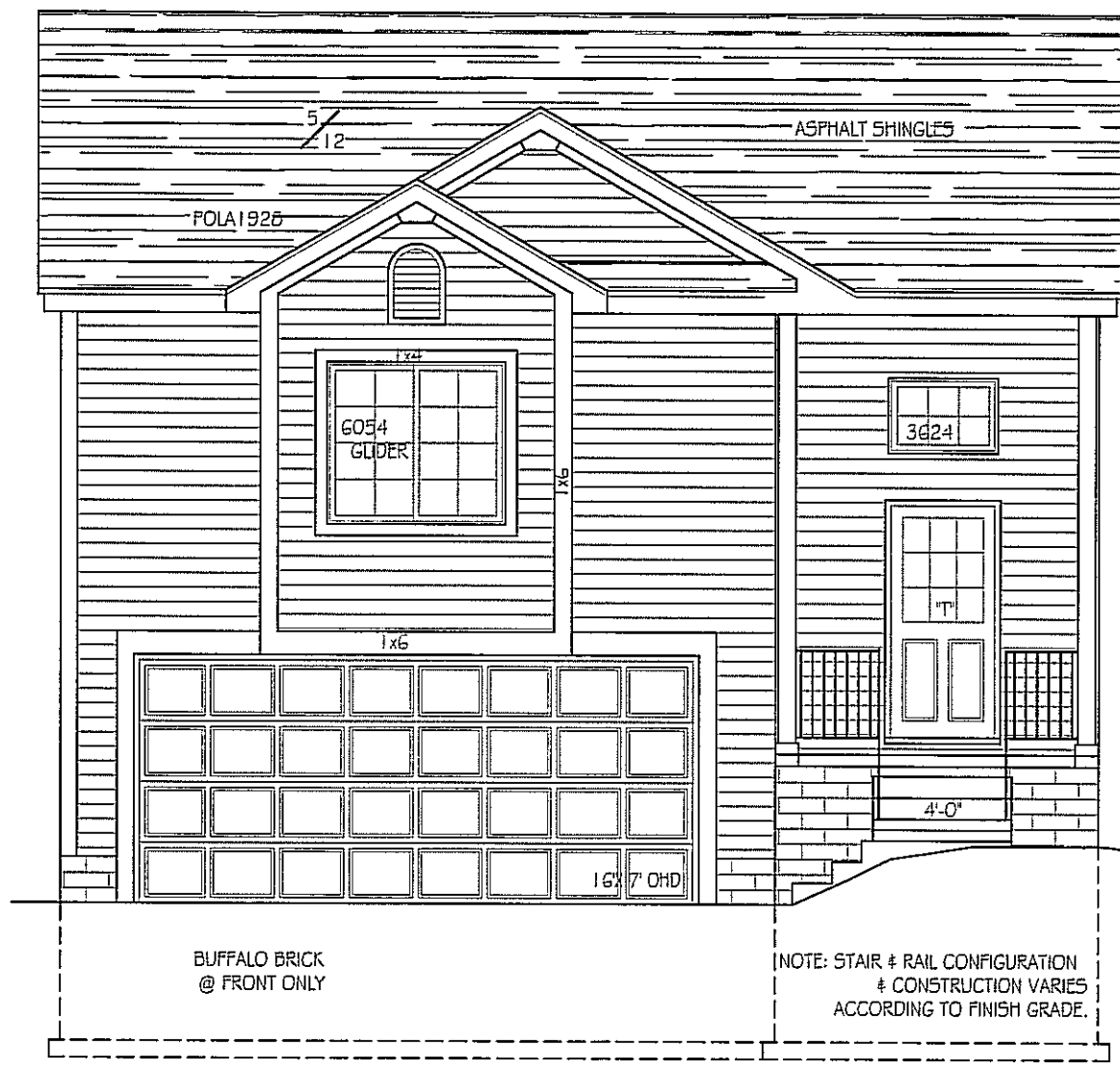
RIDGE VENT ROLLS = 1.0, SEND 1 ROLLS
= 1 TRUSS SPACE •
BAFFLED

SOFFIT VENTS 7



ROOF PLAN
SCALE: 3/32" = 1'-0"

CELEBRITY



FRONT ELEVATION
SCALE: 3/16" = 1'-0"

ELEVATION A

4X4 POSTS
ON 8"ØX 42"
CONC. PIERS
PAINT EXPOSED
FOUNDATION
1X4 TRIM BOARDS
SIDES & REAR
1X6 CORNER BOARDS
FRONT ONLY.

1X6 CORNER BOARDS
7/16" HARDBOARD
COTTAGE LAP SIDING
W/ 6" O.C. GROOVES.

NOTE: STAIR & RAIL CONFIGURATION
& CONSTRUCTION VARIES
ACCORDING TO FINISH GRADE.

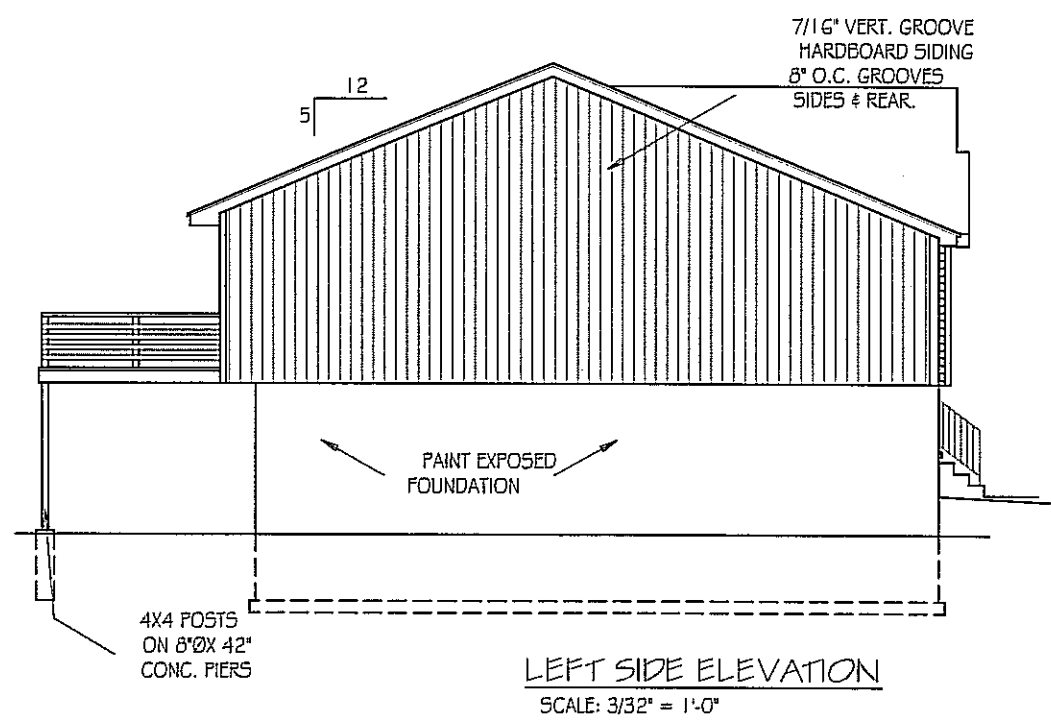
© CELEBRITY HOMES 2008. THESE DRAWINGS MAY NOT BE REPRODUCED IN ANY MANNER, EITHER IN WHOLE OR IN PART WITHOUT WRITTEN PERMISSION OF CELEBRITY HOMES.

PLAN NAME:
HAMPTON 08
ELEVATIONS
SCALE: 3/16" = 1'-0"

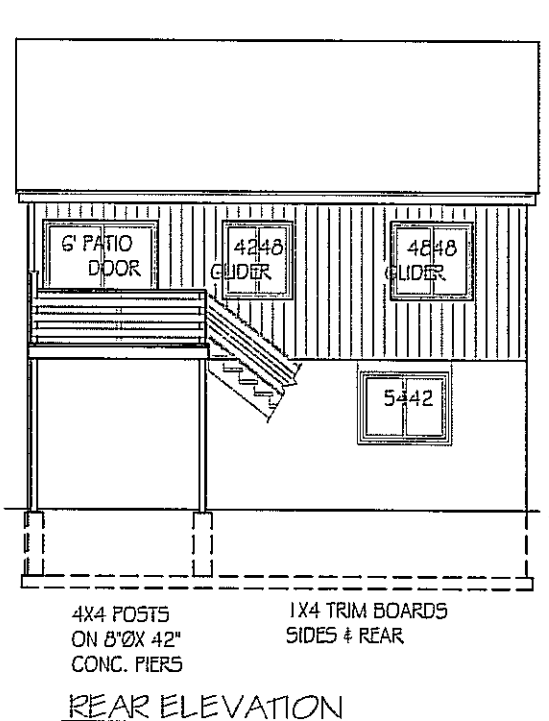
- 1/5/2009 3:43 PM X1.0 HAMPTON UPHILL RIGHT-SOLO-A-NWO.dwg

REVISIONS:

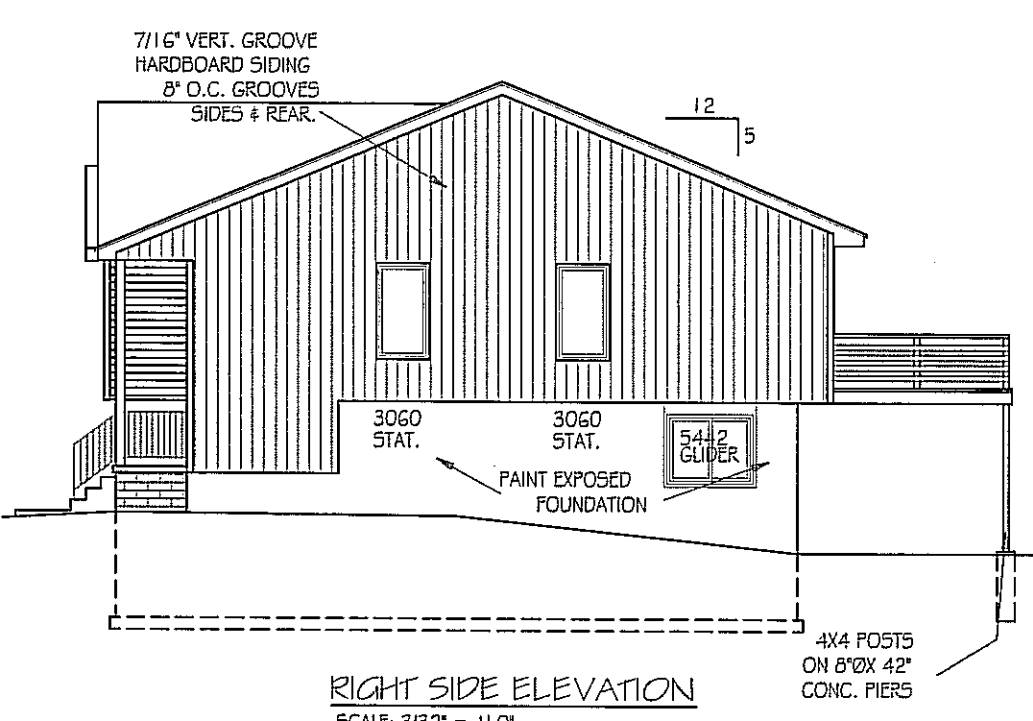
SHEET:
1 / 4



LEFT SIDE ELEVATION
SCALE: 3/32" = 1'-0"



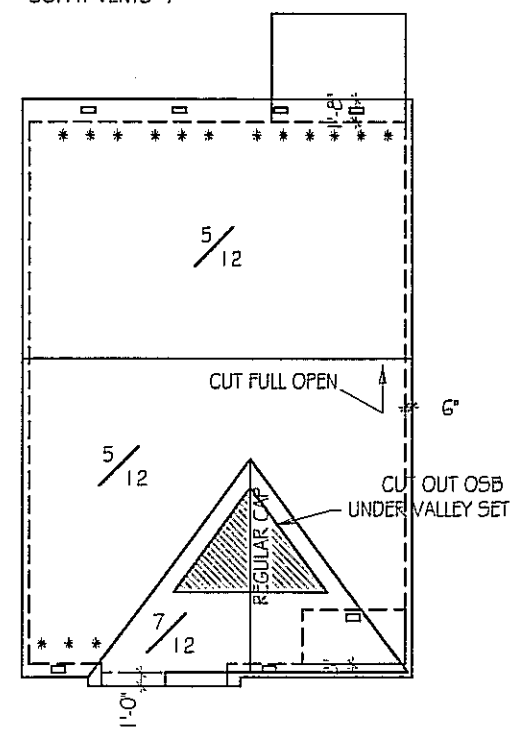
REAR ELEVATION
SCALE: 3/32" = 1'-0"



RIGHT SIDE ELEVATION
SCALE: 3/32" = 1'-0"

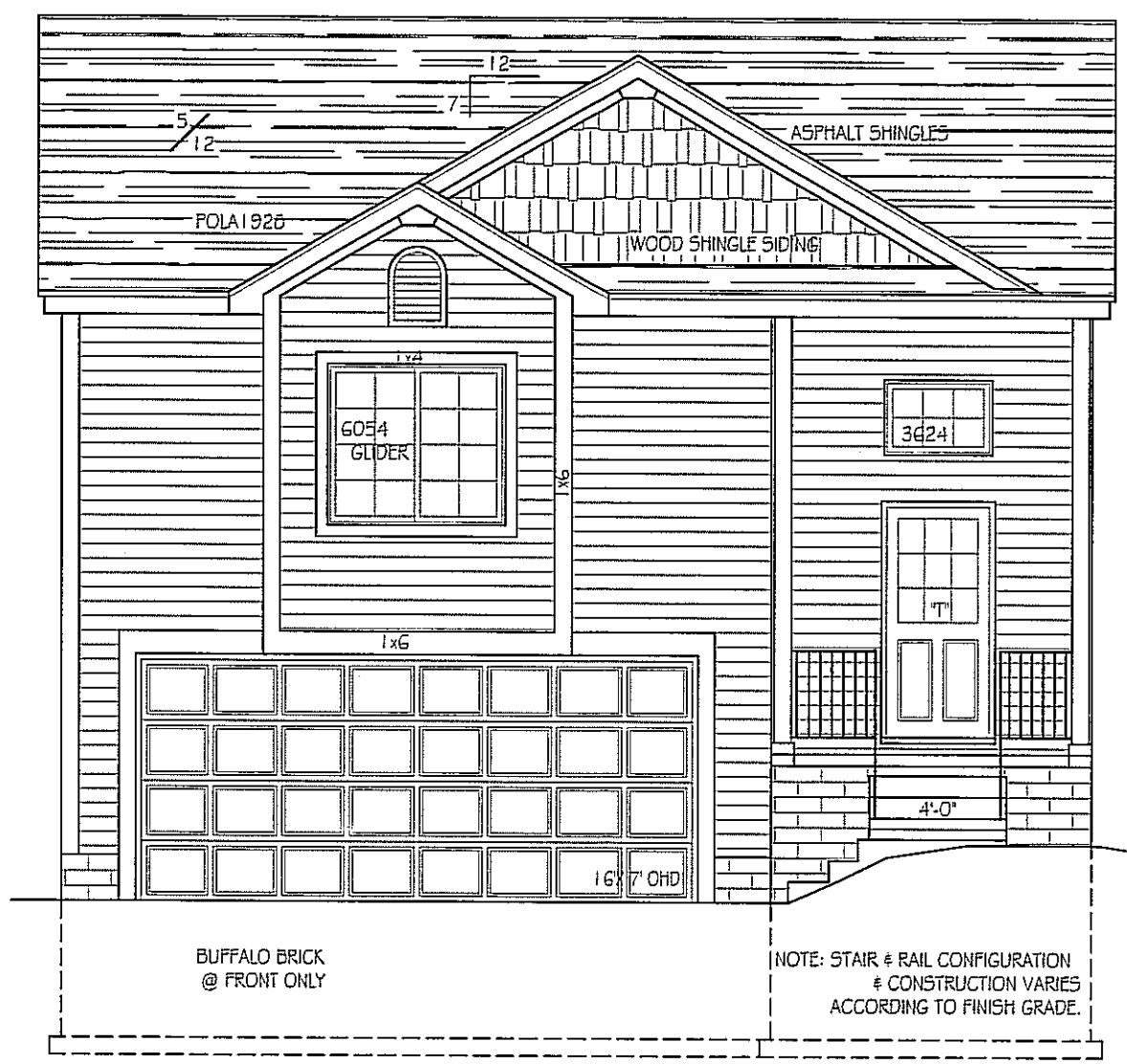
RIDGE VENT ROLLS = 1.0, SEND 1 ROLLS
= 1 TRUSS SPACE +
BAFFLED

SOFFIT VENTS 7



ROOF PLAN
SCALE: 3/32" = 1'-0"

CELEBRITY



FRONT ELEVATION
SCALE: 3/16" = 1'-0"

ELEVATION B

4X4 POSTS
ON 8"X 42"
CONC. PIERS
PAINT EXPOSED
FOUNDATION
1X4 TRIM BOARDS
SIDES & REAR
1X6 CORNER BOARDS
FRONT ONLY.

1X6 CORNER BOARDS
7/16" HARDBOARD
COTTAGE LAP SIDING
W/ 6" O.C. GROOVES.

NOTE: STAIR & RAIL CONFIGURATION
& CONSTRUCTION VARIES
ACCORDING TO FINISH GRADE.

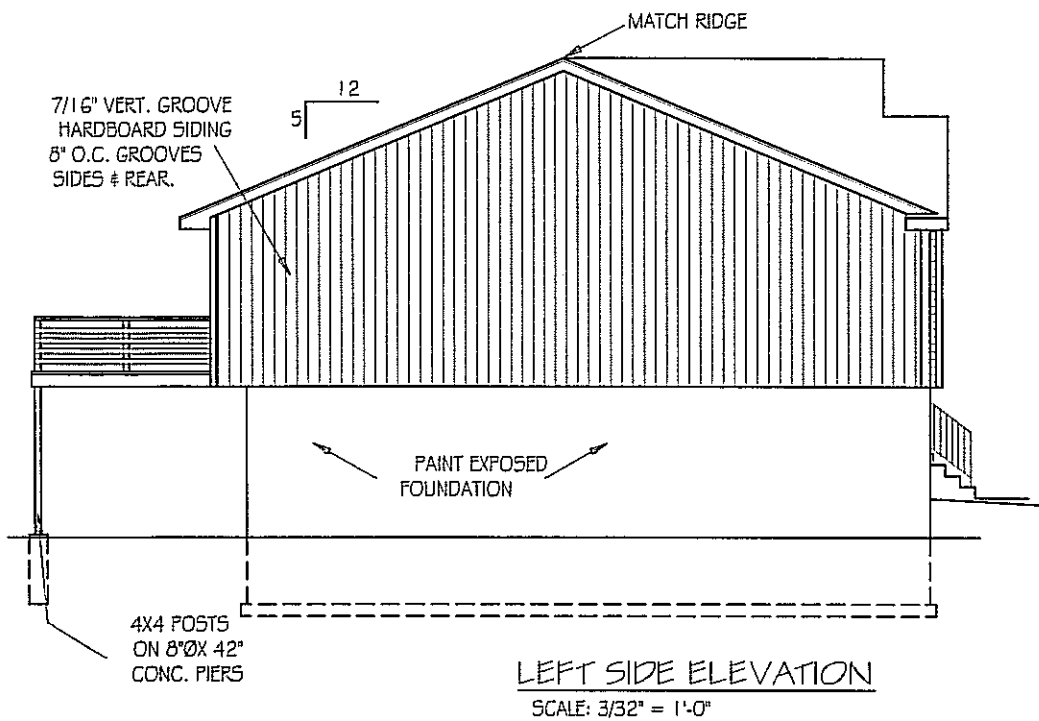
© CELEBRITY HOMES 2008. THESE DRAWINGS MAY NOT BE REPRODUCED IN ANY MANNER, EITHER IN WHOLE OR IN PART, WITHOUT WRITTEN PERMISSION OF CELEBRITY HOMES.

PLAN NAME: **HAMPTON 08**
ELEVATIONS
SCALE: 3/16" = 1'-0"

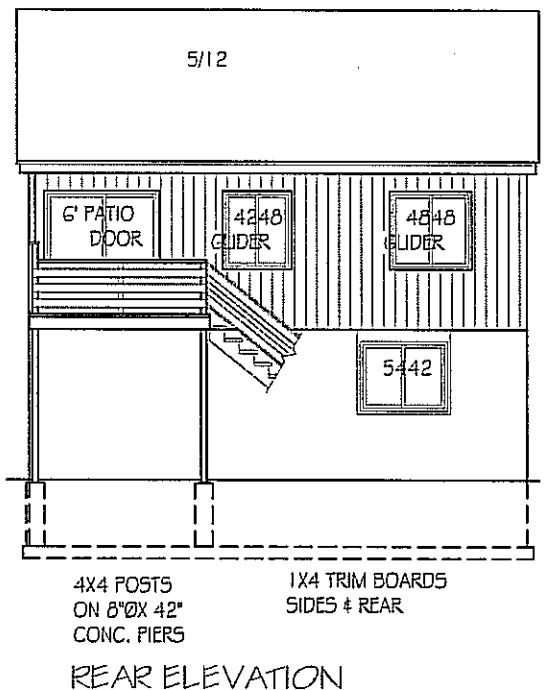
REVISIONS:

SHEET:
1 / 4

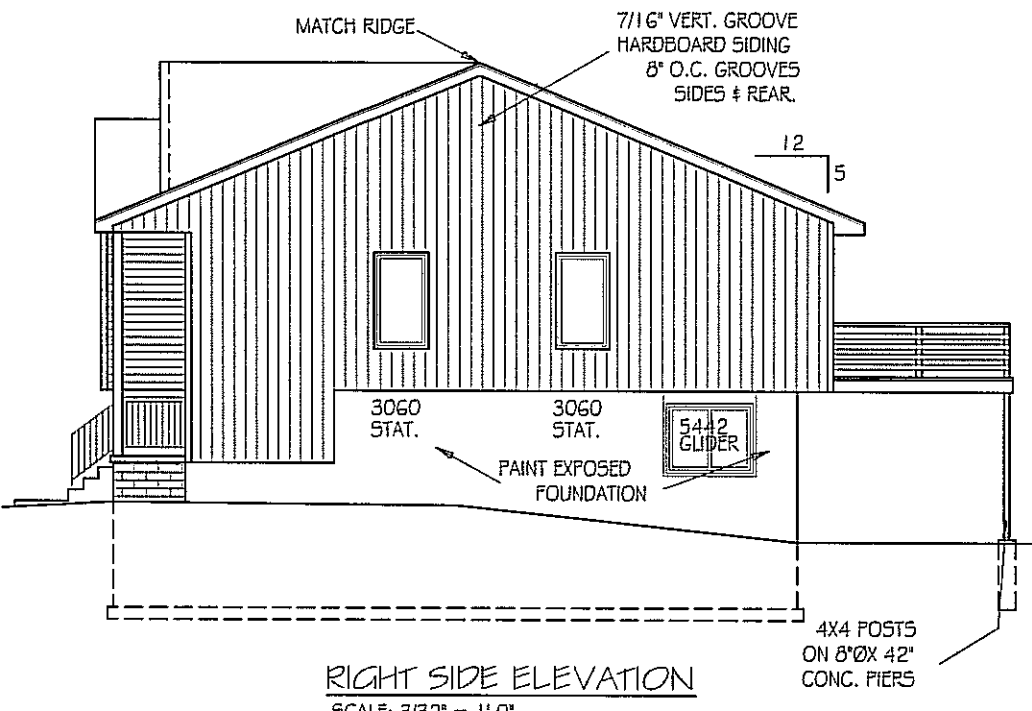
-1/5/2009 3:44 PM X:\0 HAMPTON UPHILL RIGHT-SOLO-B-NWO.dwg



LEFT SIDE ELEVATION
SCALE: 3/32" = 1'-0"



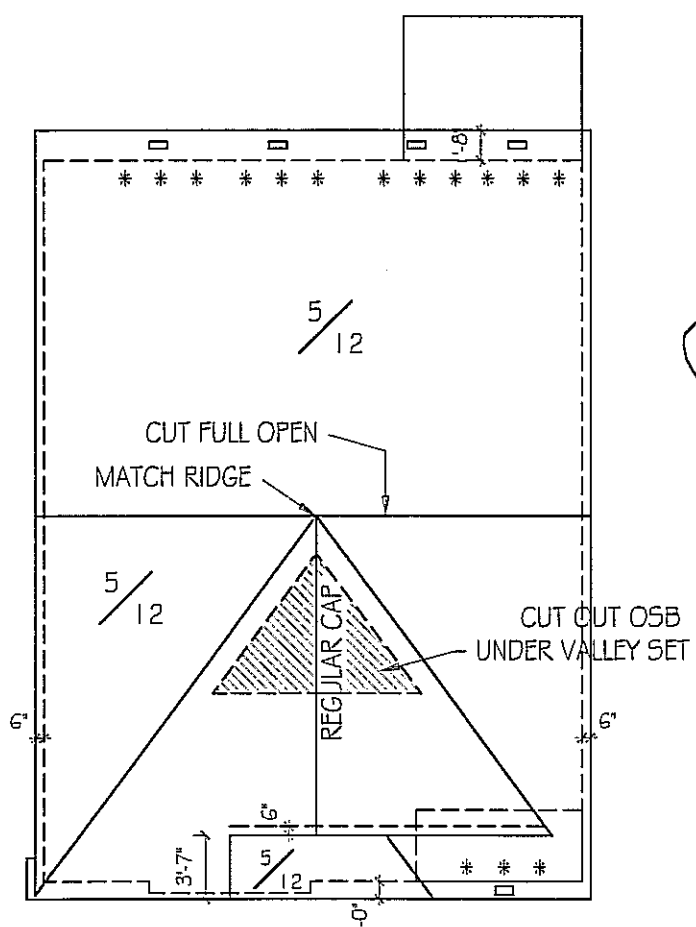
REAR ELEVATION
SCALE: 3/32" = 1'-0"



RIGHT SIDE ELEVATION
SCALE: 3/32" = 1'-0"

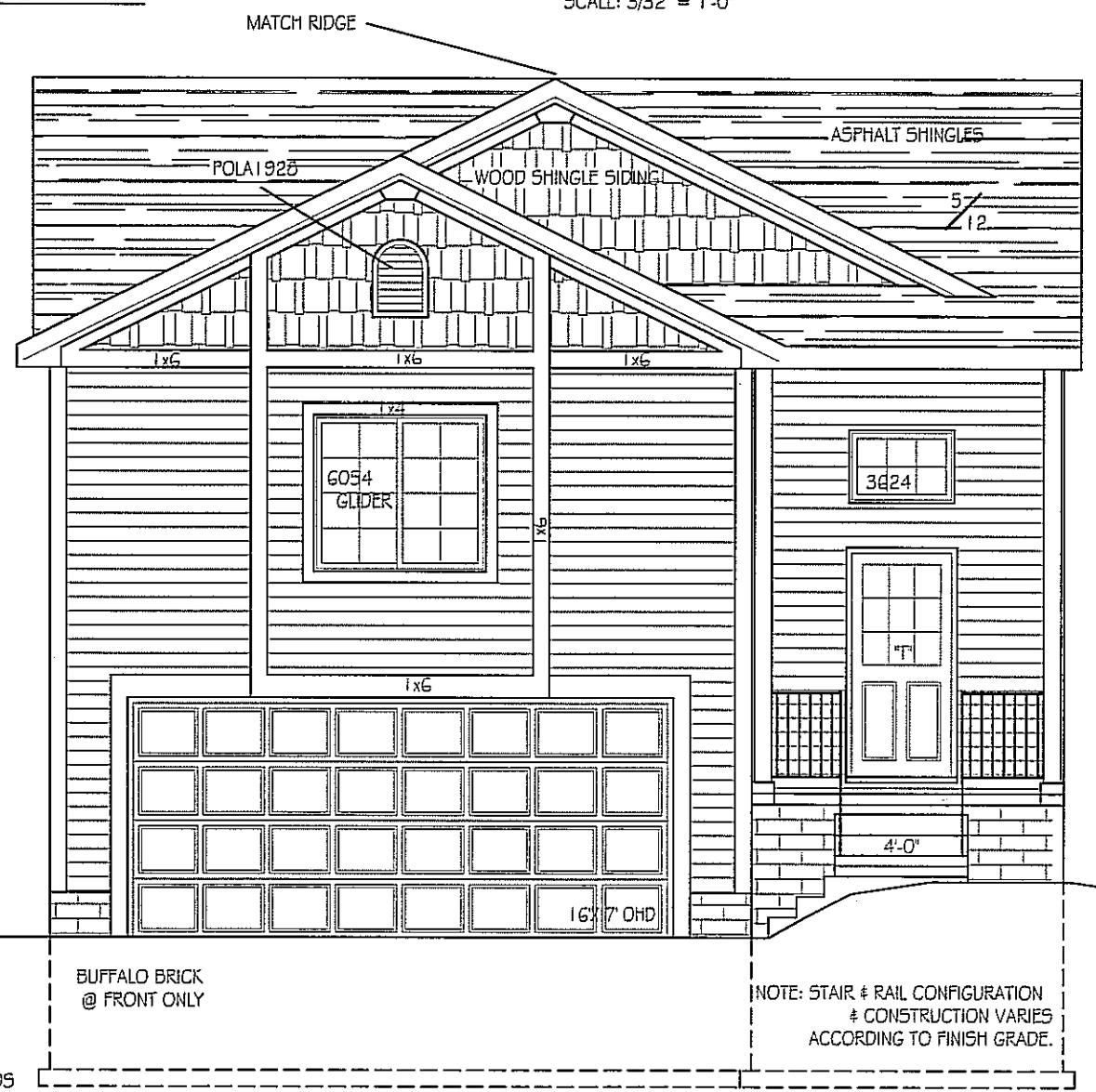
RIDGE VENT ROLLS = 1.0, SEND 1 ROLLS
= 1 TRUSS SPACE - BAFFLED

SOFFIT VENTS 5



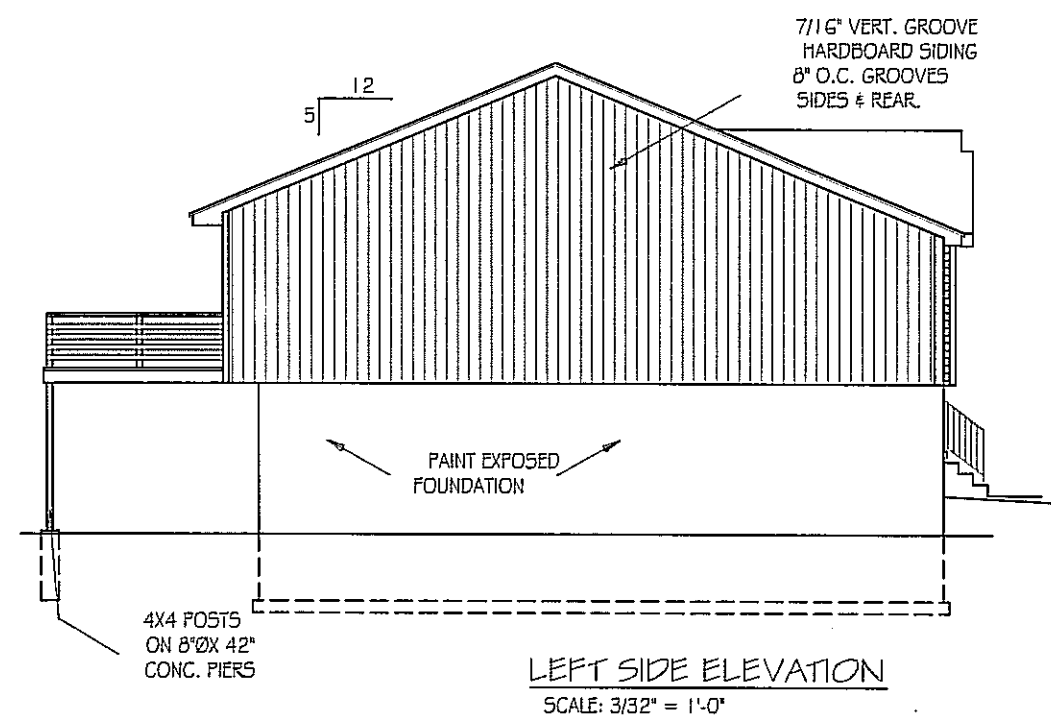
ROOF PLAN
SCALE: 3/32" = 1'-0"

CELEBRITY

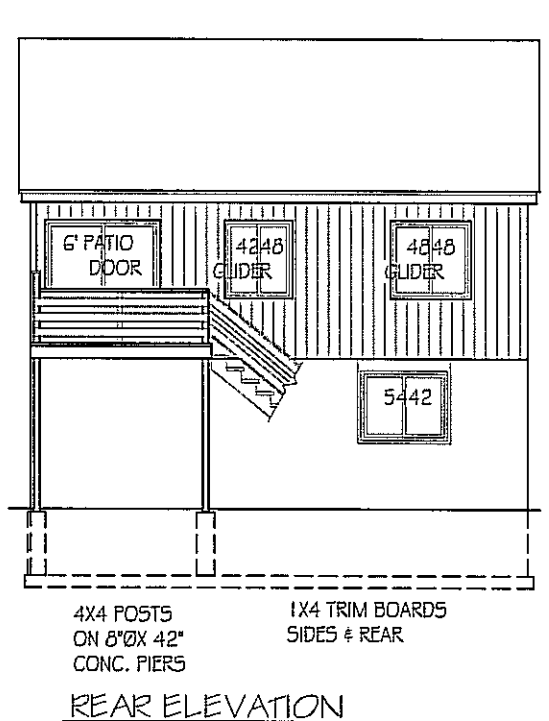


FRONT ELEVATION
SCALE: 3/16" = 1'-0"

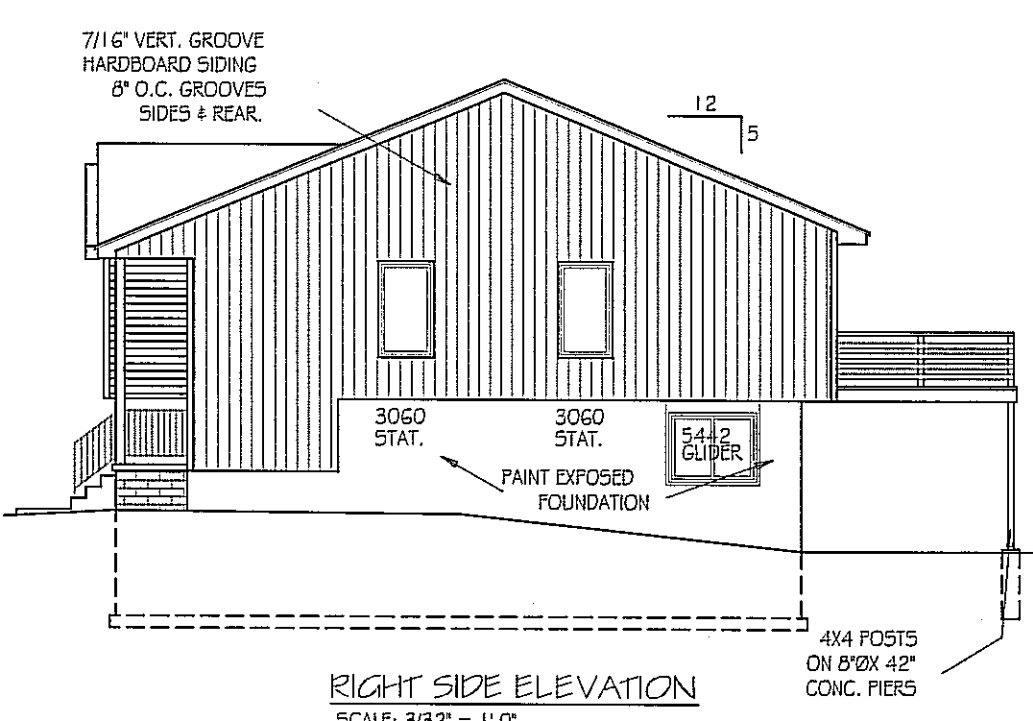
ELEVATION C



LEFT SIDE ELEVATION
SCALE: 3/32" = 1'-0"

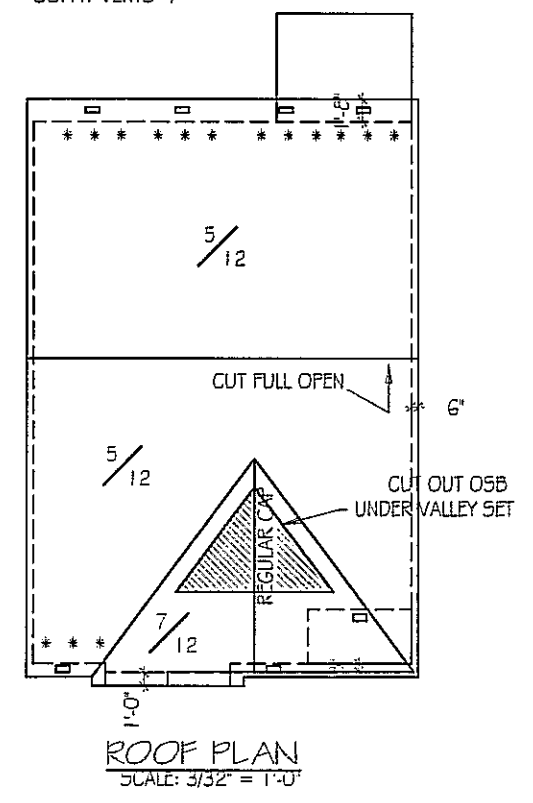


REAR ELEVATION
SCALE: 3/32" = 1'-0"



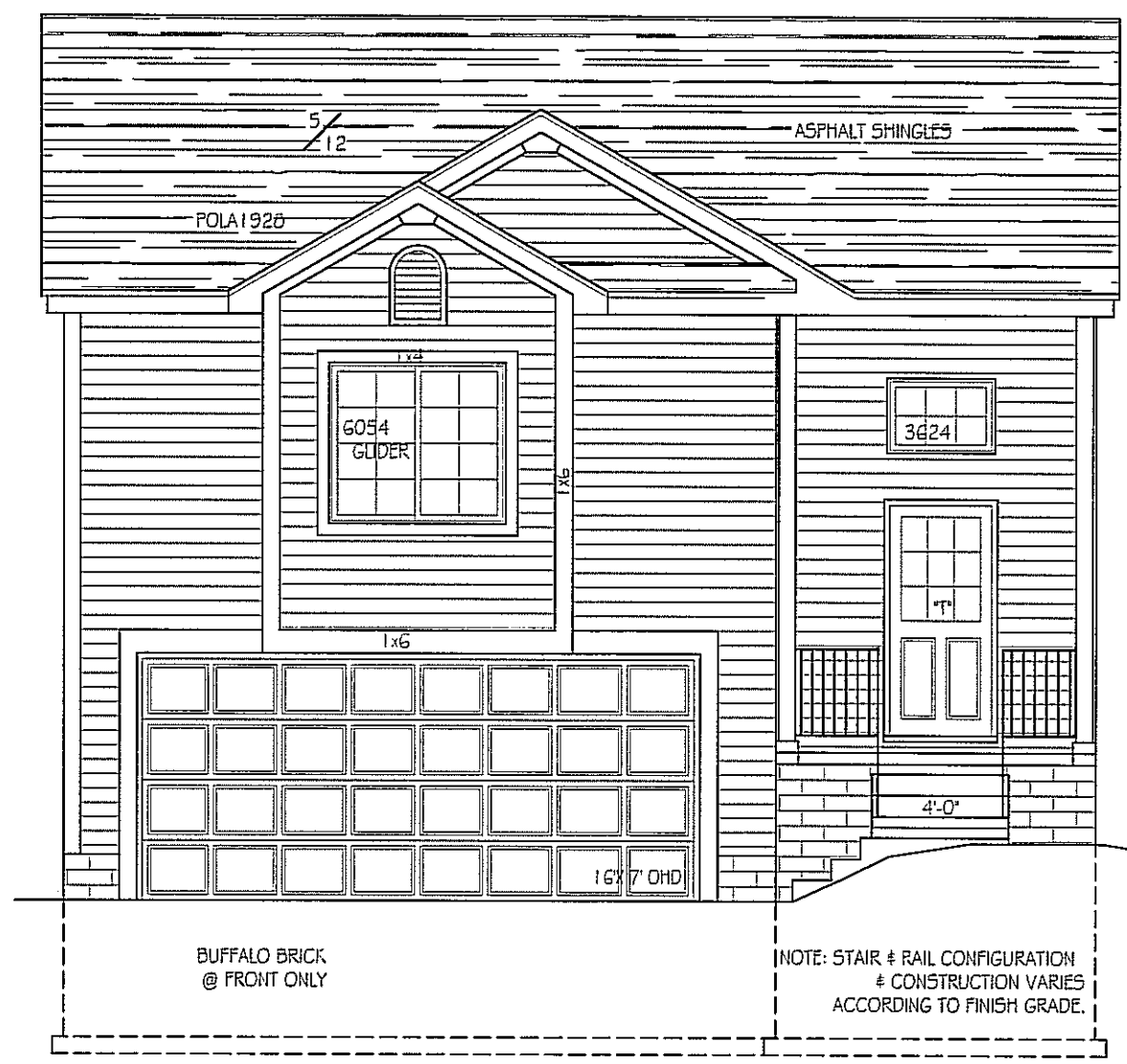
RIGHT SIDE ELEVATION
SCALE: 3/32" = 1'-0"

RIDGE VENT ROLLS = 1.0, SEND 1 ROLLS
= 1 TRUSS SPACE - BAFFLED
SOFFIT VENTS 7



ROOF PLAN
SCALE: 3/32" = 1'-0"

CELEBRITY



FRONT ELEVATION
SCALE: 3/16" = 1'-0"

ELEVATION A

ELEVATION I

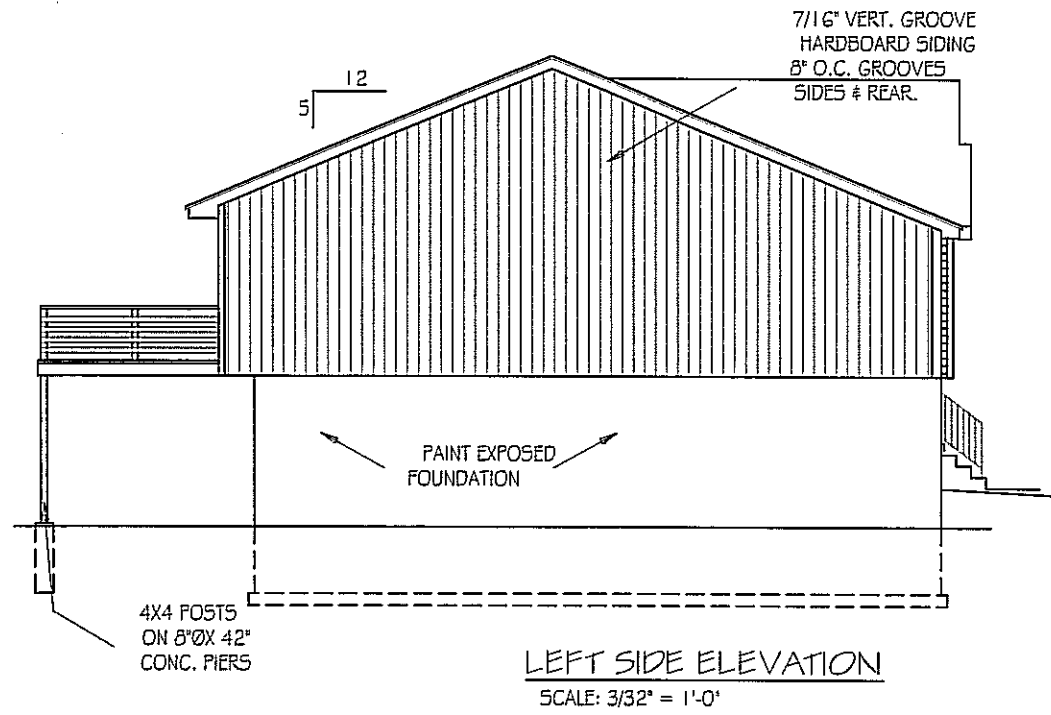
ELEVATIONS
SCALE: 3/16" = 1'-0"

PLAN NAME:
SINGLE WESTON 08

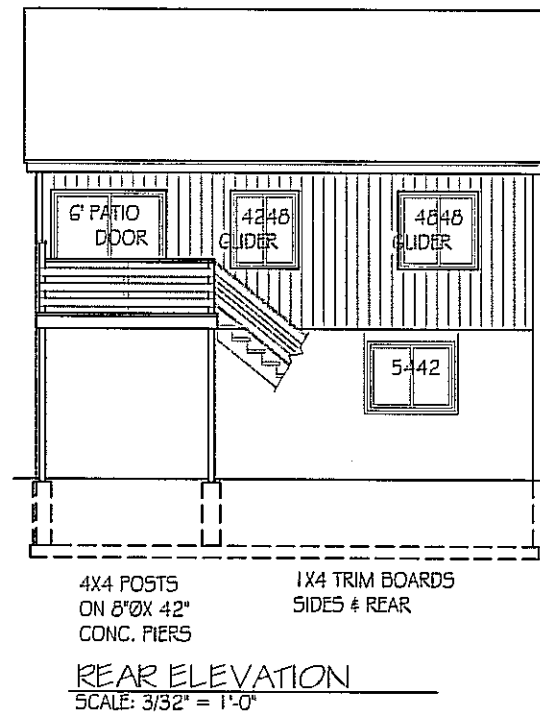
REVISIONS:
SHEET:
1/4

-1/6/2009 8:29 AM I VILLA A.DWG

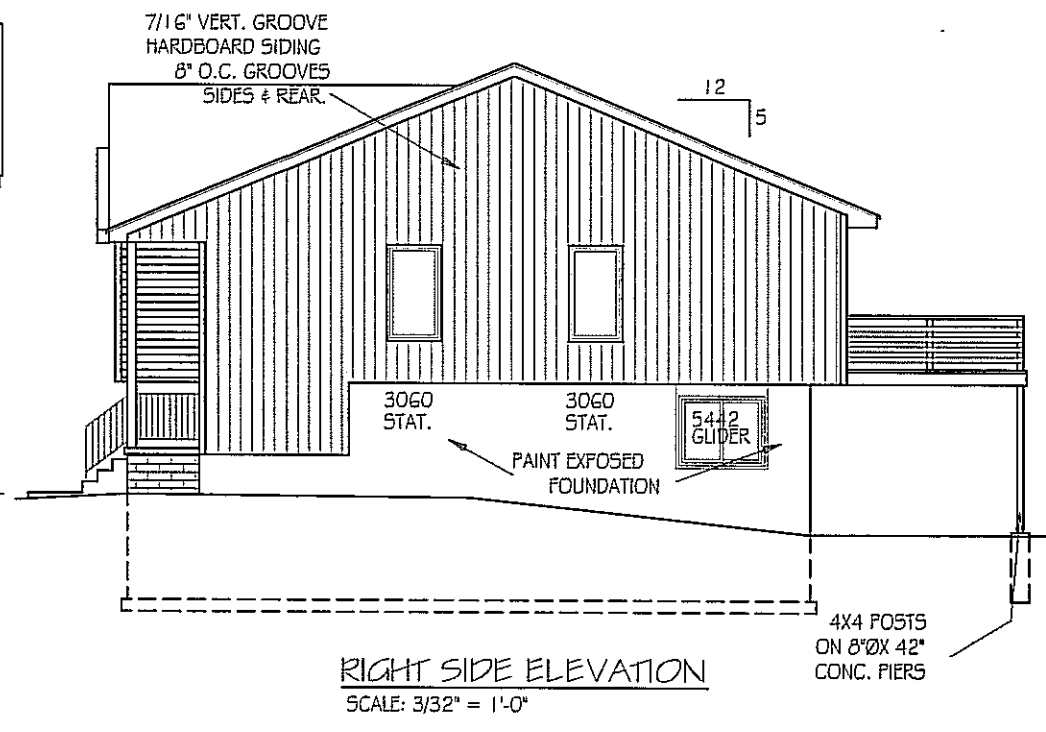
© CELEBRITY HOMES 2008 THESE DRAWINGS MAY NOT BE REPRODUCED IN ANY MANNER, EITHER IN WHOLE OR IN PART, WITHOUT WRITTEN PERMISSION OF CELEBRITY HOMES.



LEFT SIDE ELEVATION
SCALE: 3/32" = 1'-0"



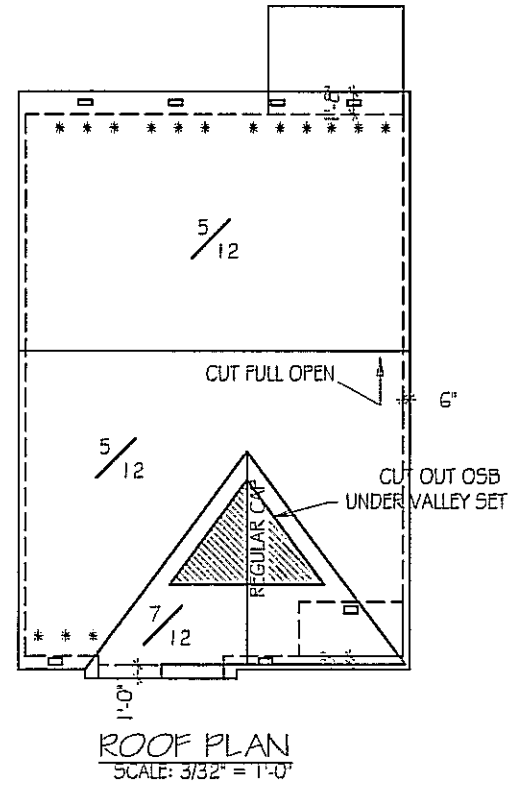
REAR ELEVATION
SCALE: 3/32" = 1'-0"



RIGHT SIDE ELEVATION
SCALE: 3/32" = 1'-0"

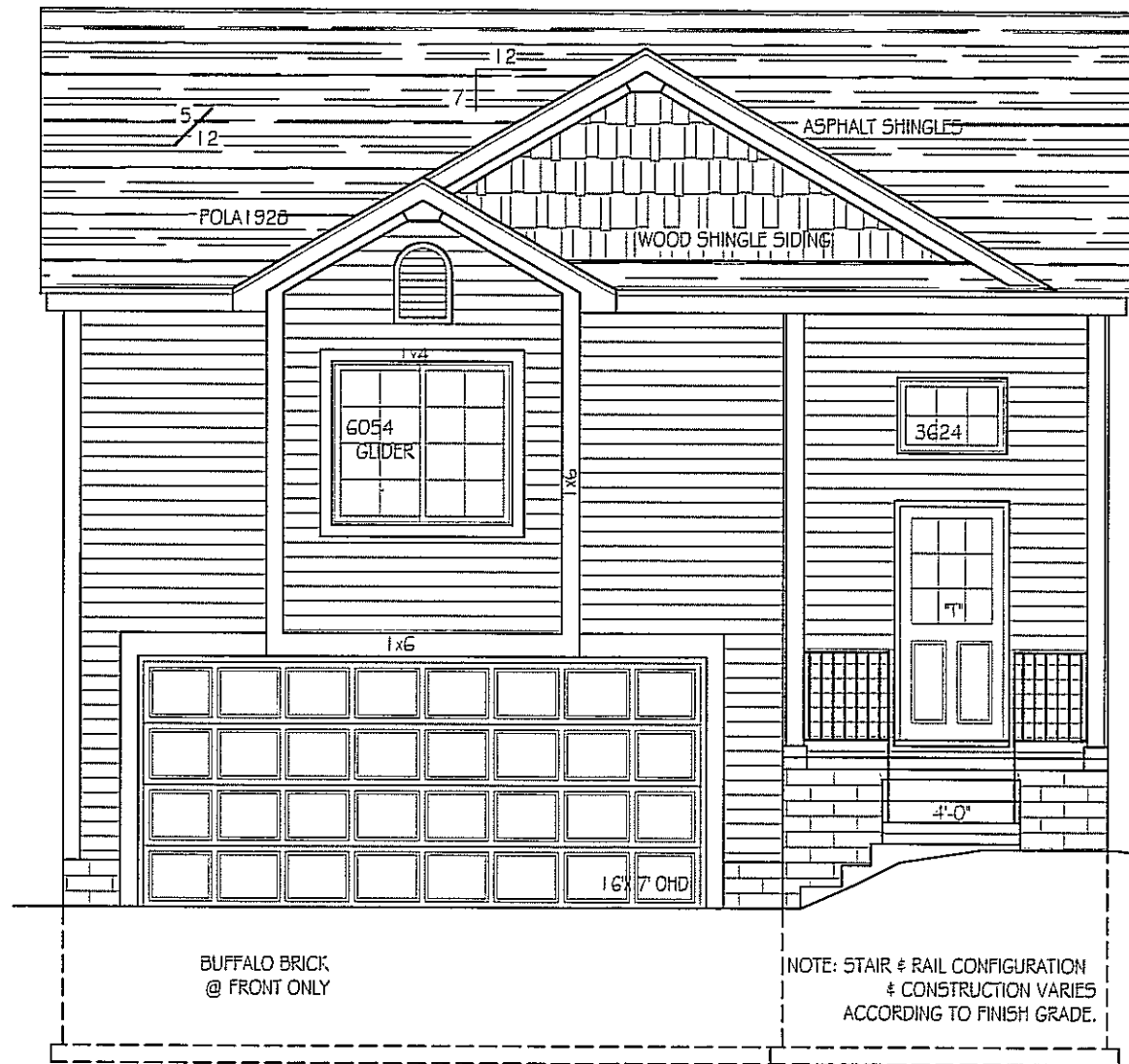
RIDGE VENT ROLLS = 1.0, SEND 1 ROLLS
= 1 TRUSS SPACE +
BAFFLED

SOFFIT VENTS 7



ROOF PLAN
SCALE: 3/32" = 1'-0"

CELEBRITY



FRONT ELEVATION
SCALE: 3/16" = 1'-0"

ELEVATION B

© CELEBRITY HOMES 2008. THESE DRAWINGS MAY NOT BE REPRODUCED IN ANY MANNER, EITHER IN WHOLE OR IN PART WITHOUT WRITTEN PERMISSION OF CELEBRITY HOMES.

